

**Mail or Fax to:**

ET Mags • 1965 W. Ave 140th • San Leandro, CA 94577 • Ph (510) 895-8880 • Fx (510) 895-8102  
 email: sales@ETMags.com • web: www.ETMags.com

Name \_\_\_\_\_ Email \_\_\_\_\_

Phone (H) \_\_\_\_\_ Phone (W) \_\_\_\_\_ Fax \_\_\_\_\_

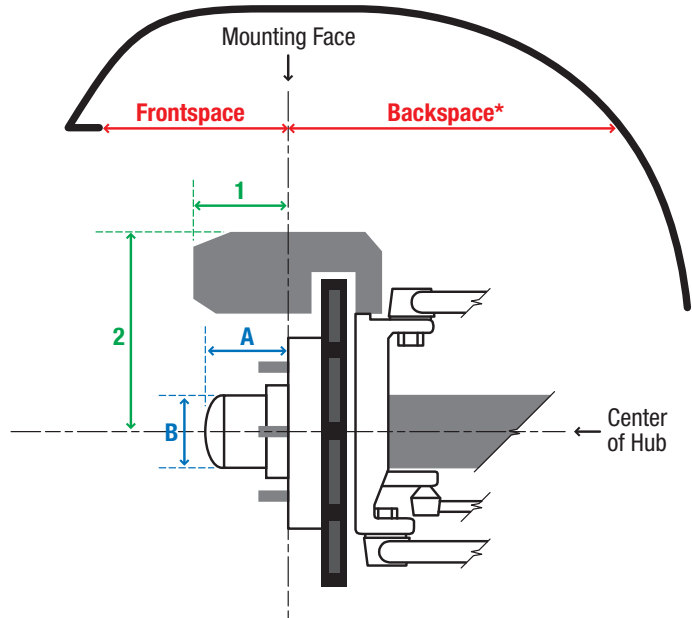
Address \_\_\_\_\_

City \_\_\_\_\_ State \_\_\_\_\_ Zip \_\_\_\_\_

Car Make \_\_\_\_\_

Year \_\_\_\_\_

Model \_\_\_\_\_



**\*NOTE:** Measure Backspace to the **FIRST** point of contact. Look carefully up and down for the first point at the rear – which is often the leaf spring.

**USEFUL TIP:** Wheels are 1 inch wider than the size suggests. For instance a 15x7 is actually 8 inches wide overall. Width wise, to fit a 15x7 you will need 8 inches for the wheel plus tire bulge.

	FRONT		REAR	
	Left	Right	Left	Right
<b>OFFSETS</b>				
<b>Backspace</b> (mounting face under, calculated at ride height)				
<b>Frontspace</b> (mounting face out, calculated at ride height)				
<b>BRAKE CALIPER</b>				
<b>1 Caliper overhang</b> (mounting face out)				
<b>2 Center hub to outside brake</b> (maximum radius)				
<b>CENTER HUB</b>				
<b>A Total height of hub</b>				
<b>B Diameter of hub</b>				

Notes \_\_\_\_\_  
 \_\_\_\_\_  
 \_\_\_\_\_  
 \_\_\_\_\_